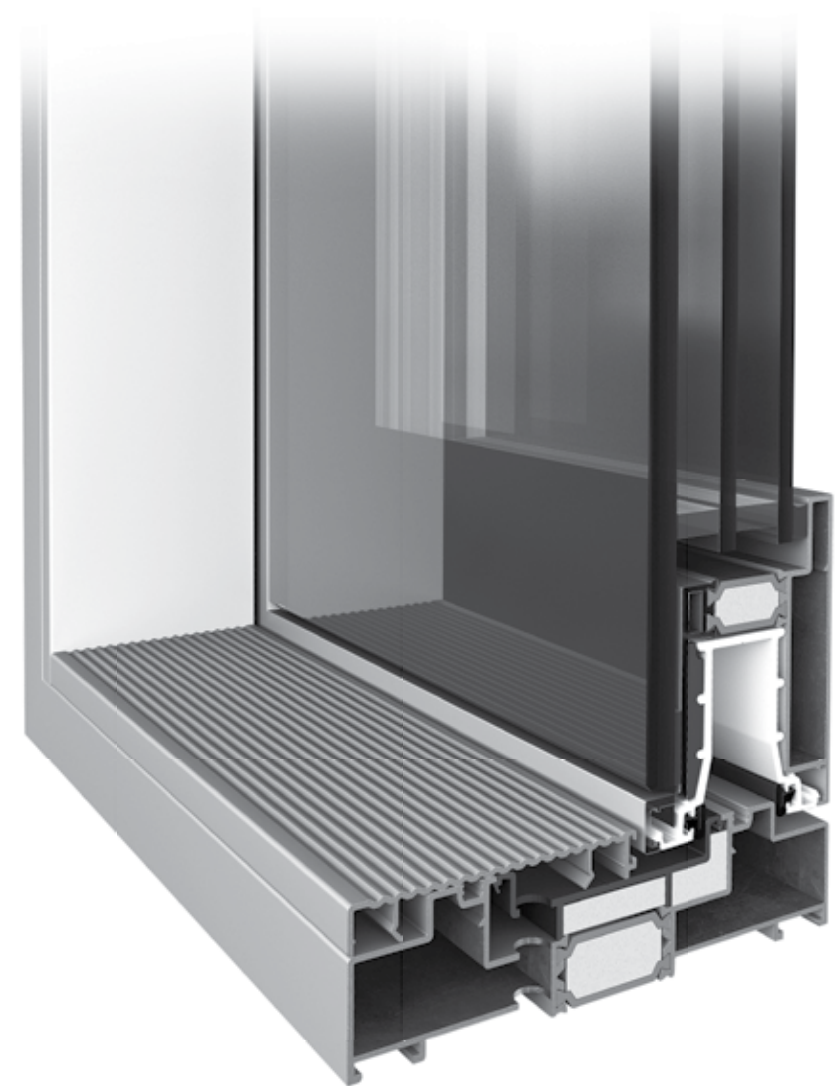


E 70

**HEAVY-DUTY
SLIDING THERMO-
BREAK SYSTEM**

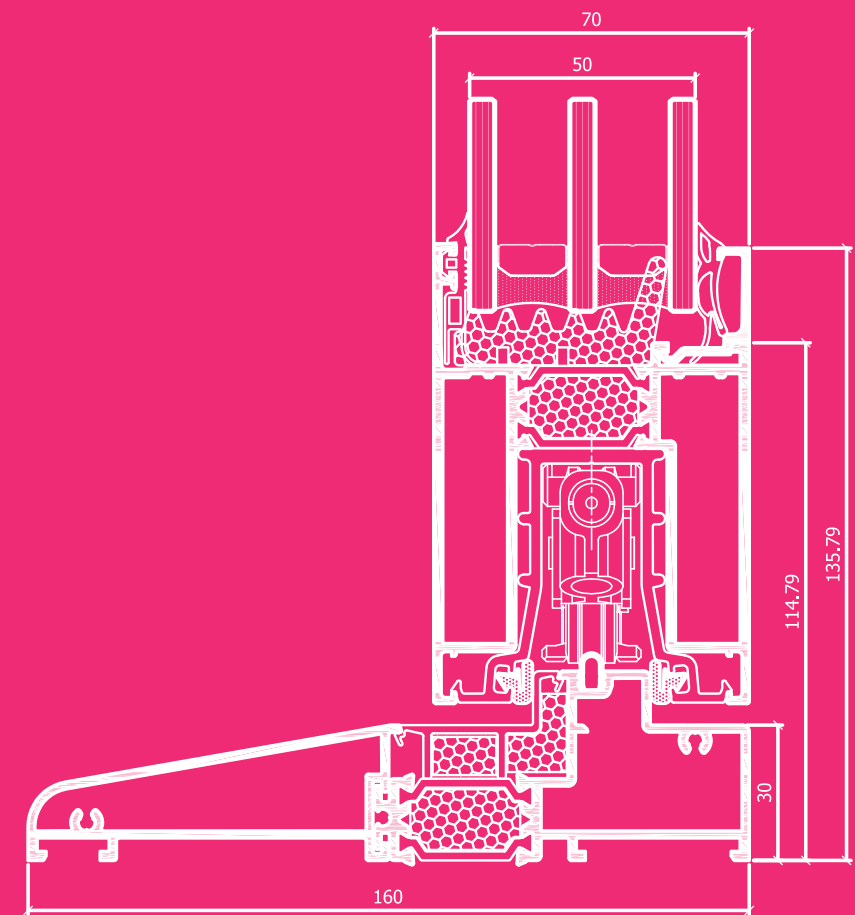
WITH SUPERIOR THERMAL INSTALATION

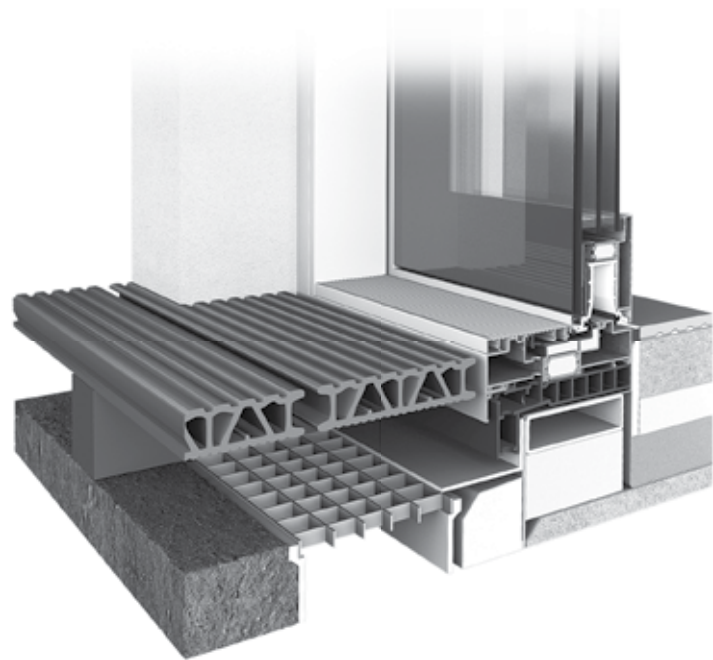
DEC/2010



E 70 IS A SLIDING SYSTEM WITH WIDE THERMO-BREAK, EXCELLENT THERMAL TRANSMITTANCE, SECURE AND RELIABLE SYSTEM TO EXECUTE LARGE SLIDING DOORS FOR SWIMMING POOLS AND CONSERVATORIES

- The system enables highest sunlight penetration and best view toward surrounding landscape without excessive grid lines in the exterior view
- Option to install mosquito net
- Reliable lift/slide hardware G-U
- Flat design
- Sash depth 70 mm, sash height 102 mm and 88 mm
- Opening – single, double and triple rail





Thermal transmittance $U_f = 1,4 \text{ W/m}^2\text{K}$

Anti-burglar WK2

Class 5a water tightness EN 12208

Class 3 air permeability EN 12207

Acoustic performance $R_w = 36 \text{ db}$

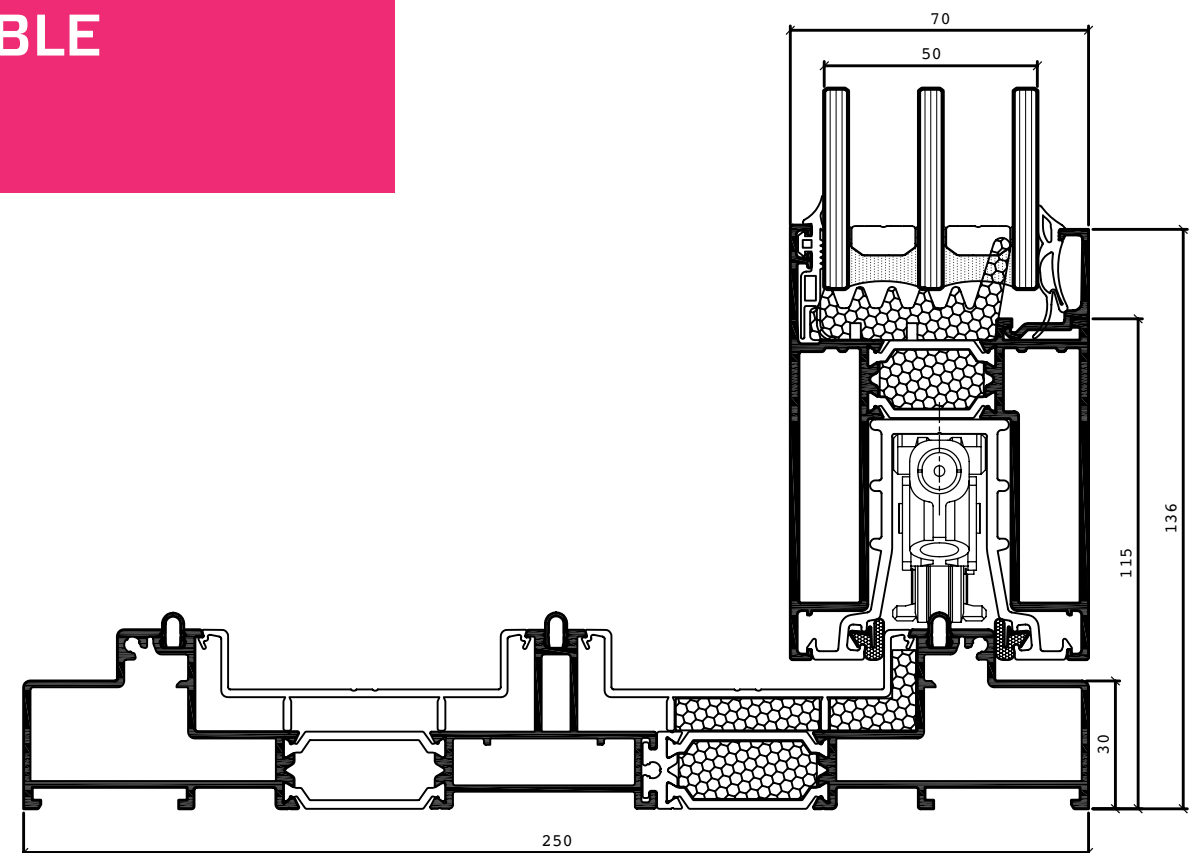
CONTEMPORARY DESIGN WITH THE HIGHEST AESTHETIC VALUES IS NOW ACHIEVABLE USING STRUCTURAL GLAZING

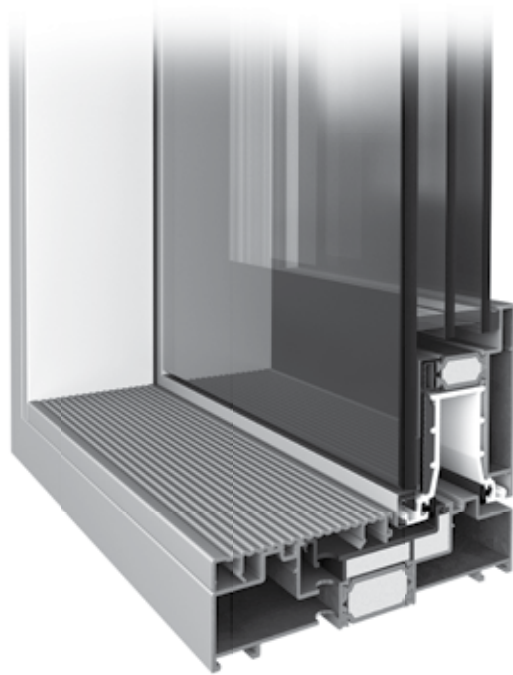
Special sash for structural glazing

Inox rail with "U" shape

Maximum vent weight 300 kg

Maximum vent size 3000 mm x 3000 mm





DESIGN

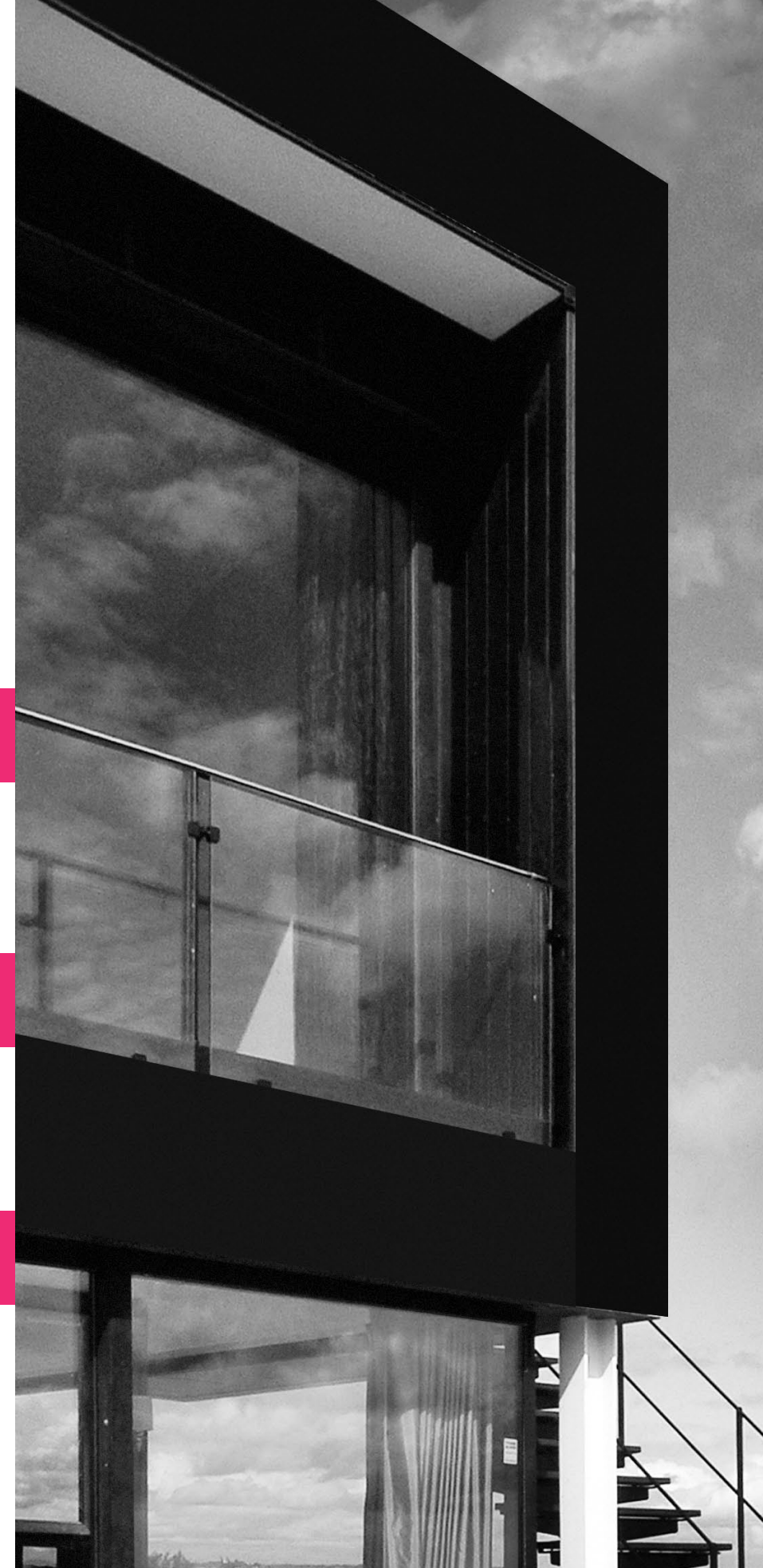
FLEXIBILITY IN DESIGNING A VERY LARGE RANGE OF ARCHITECTURAL APPLICATIONS INCLUDING SOLUTIONS FOR BOTH RESIDENTIAL AND COMMERCIAL USE

HIGH QUALITY PRODUCT

ENVIRONMENTALLY FRIENDLY PRODUCT MADE THROUGH INTEGRATED TECHNOLOGIES AND BUILDING MATERIALS

ENERGY EFFICIENT PRODUCT

ECONOMY AT EVERY LEVEL WITH ENERGY EFFICIENT FEATURES THAT SURPASS CURRENT EUROPEAN AND INTERNATIONAL NORMS



ETEM. *Think* Adaptive

ETEM BUILDING SYSTEMS GREECE
www.etem.gr

ETEM BUILDING SYSTEMS BULGARIA
www.madeinetem.com
T. +359 894 755 435
ppachev@steelmetbg.vionet.gr

ETEM BUILDING SYSTEMS SERBIA
www.etem.gr

ETEM BUILDING SYSTEMS UKRAINE
www.ventfacade.com.ua

ETEM BUILDING SYSTEMS ROMANIA
www.madeinetem.com

DOMUS FACADES,UK
www.domusfacades.com

ILTEGRO SPOL. S R.O., CZECH REPUBLIC
www.iltegro.cz

MM SYSTEM, SLOVAKIA
www.nextra.sk

MKN DOO, MACEDONIA
www.mkn-etem.co.mk

WWW.MADEINETEM.COM